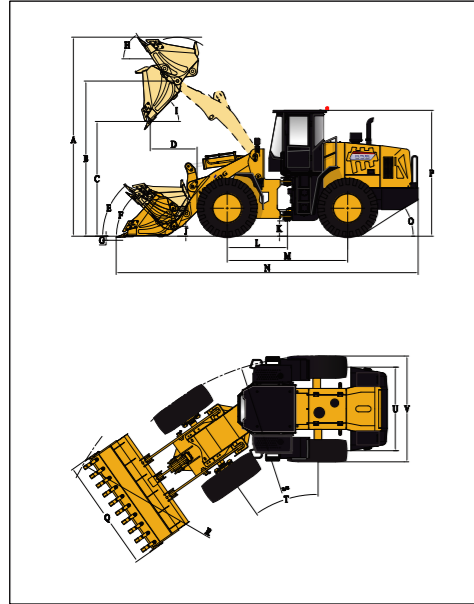


DIMENSIONS

All dimensions are approximate. Dimensions may vary with bucket and tire choice. Refer to operating specifications.



NO.	DESCRIPTION	UNIT	DATE
A	Overall Height – Bucket Raised	mm	5210
B	Bucket Pin Height at Max. Lift	mm	4136
C	Dump Clearance at Max. Lift (45°)	mm	3078
D	Reach at Max. Lift and 45° Dump	mm	1190
E	Rack Back Angle at Carry	°	48.3
F	Rack Back Angle at Ground	°	45
G	Digging Depth	mm	45
H	Rack Back Angle at Max. Lift	°	52.6
I	Dump Angle at Max. Lift	°	45
J	Carry Height	mm	400
K	Ground Clearance	mm	556
L	Center Line of Front Axle to Hitch	mm	1120
M	Wheel Base	mm	2930
N	Overall Length	mm	7870
O	Departure Angle	°	28.6
P	Height to Top of Cab	mm	3380
Q	Overall Width over Bucket	mm	3000
R	Min. Turning Radius over Bucket	mm	6805
S	Min. Turning Radius over Tires	mm	6182
T	Steering Angle – Left/Right	°	35
U	Width at Tread Center	mm	2240
V	Overall Width over Tires	mm	2835

TECHNICAL PARAMETERS

BASIC	Bucket Capacity	2.7m ³
	Rated Payload	5000kg
	Operating Weight	16600±300kg
	Traction Force	155±3kN
	Breakout Force	155±3kN
	L×W×H	7870×3000×3380mm
ENGINE	Maker/Model	WEICHA/WD10G220E21
	Rated Power	162kW/2200rpm
	Maximum Torque	860N·m/1400-1600rpm
	Bore x Stroke	126×130mm
	No. of Cylinders /Displacement	6/9.726L
	Air Cleaner	Three Stage Air Cleaner
	Alternator	70Amp
	Battery	2-24V/120Ah
	Starting Motor	24V/7.5kW
	DRIVE TRAIN	Transmission Type
Shift Type		Mechanical Powershift Control
Pressure of Transmission		1.1-1.5MPa
Torque Converter Type		Single-stage, Duo-turbine, 4-element
Axles		Rigid (Front)&Oscillating (Rear)
Rear Axle Oscillation		±10°
Differential		Conventional
Main Reducer		Spiral Bevel, 1-stage Reduction
Final Reducer		Planetary Reduction
Tire		23.5-25 L-3 16PR TT
Travel Speed-Forward		11.5/36 km/h
Travel Speed-Reverse		16 km/h
BRAKE SYSTEM	Service Brake	Single Circuit Caliper, Dry Brake
	Setting Pressure	0.70-0.78MPa
	Parking Brake	Flexible Shaft Controlled
STEERING SYSTEM	Emergency Brake	Caliper Brake
	Type	Hydraulic Load Sensing System
	Pump	176L/min·2200rpm
	System Pressure	15MPa
HYDRAULIC SYSTEM	Cylinder Type	Double Acting
	Steering Angle	±35°
	Type	Joystick Control (Single-lever)
	Pump	220L/min·2200rpm
SERVICE REFILL CAPACITY	Control Valve	2 Spool
	System Pressure	16MPa
	Cycle Time	11.5
	Fuel Tank	280L
	Hydraulic Tank	245/250(3rd Spool)L
	Crankshaft	20L
Transmission	46L	
Front Axle/Rear Axle	28L/28L	

CONFIGURATION

WEICHA Engine
LONKING Transmission
Mechanical Powershift Control
LONKING Axles (Dry type)
Joystick Working Control (Single-lever)
Flexible Shaft Controlled Caliper Brake
ROPS&FOPS Cabin
Combination Instrument
Air Conditioner

OPTIONAL

Mechanical Shift Working Control
High Dump
Oil-bath Air Filter
Radial Tires
3rd Spool for Auxiliary Function
Sliding Cabin Window
Electric Heating Rear Window
Lockable Oil Tank Cap
Rear View Camera
Bucket(3 Piece Cutting Edges)
Russian Bucket(3.0m ³)
Enlarged Bucket(3.5m ³)
Coal Bucket(4.2m ³)
Log Grapple
Grass Grapple
Marble Fork
Log Fork
Quick Hitch Coupler
Quick Hitch Bucket(2.7m ³)
Snow Blade(Quick Hitch Only)

KATOYAMA

KCDM853

WHEEL LOADER

Efficiency Rules the Future



The following blank can be used for notes or comments.

Please contact our local agent:

[https:// www.katoyama.com](https://www.katoyama.com)

info@katoyama.com

Add:26 Minyi Road,Xinqiao,Songjiang Industrial Zone,Shanghai

■ RATED POWER:	162kW/2200rpm
■ BUCKET CAPACITY:	3.0m ³
■ RATED PAYLOAD:	5000kg
■ OPERATING WEIGHT:	16600kg

Specifications and design are subject to change without prior notice.
Machines shown may not include optional accessories.